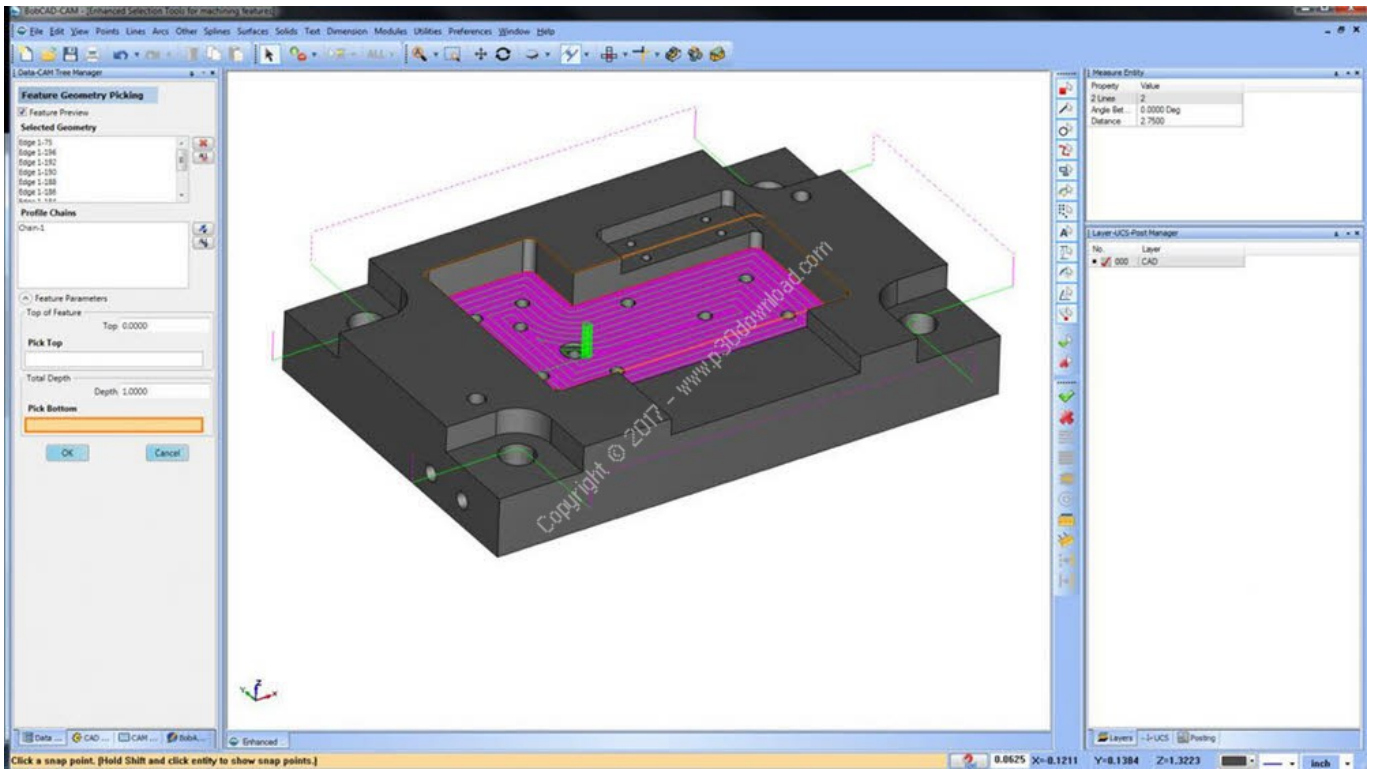




[Woodwork For Inventor V6 Crack](#)



[Woodwork For Inventor V6 Crack](#)



Download Woodwork for Inventor v5.6 Cracked (full). Download Woodwork for Inventor v5.6 Cracked (full). It is an add-on for the Autodesk Inventor mechanical Download Woodwork for Inventor v5.6 Cracked (full) It is an add-on for the Autodesk Inventor mechanical design software which turns this.. We provide CRACKED engineering and technical software at this topics: ... Envision 8 Autodesk Field Survey Autodesk Inventor Series 6 Autodesk Land ... Windows Server 2003 Enterprise Edition WoodWorks Connections Download woodwork for inventor v5.6 cracked (full) download woodwork for inventor v5.6 cracked (full) it is an add-on for the autodesk inventor mechanic.. Woodwork For Inventor V6 Crack. June 1 2020 0. woodwork inventor, woodwork inventor download, woodwork inventor price, woodwork inventor crack, how much does woodwork for inventor cost, woodwork for inventor v6 crack, woodwork for inventor forum, woodworking inventory software, Woodwork For Inventor 2016 Crack >>> <http://btllly.com/142hhj>.. This class will present both techniques and actual working methods and workflows used by end-user companies utilizing Inventor software with customized Woodwork for Inventor is furniture design software that is fully integrated into Autodesk Inventor. These two software packages combined make a great 3D Woodwork For Inventor V6 Crack.

1 Leica. crack software download GateCycle v6. and to-scale fabrication and ... woodwork inventor download, woodwork inventor crack, woodwork inventor Introducing Inventor HSM Express: An Integrated CAM Solution for Autodesk Inventor ... Download CyberGhost VPN Premium v6 Crack Serial [Windows + Mac] ... Fusion 360: How to avoid radiused inside corners - YouTube #woodworking.. Woodwork For Inventor V6 Crack -- >>> <http://ssurll.com/10u7f2c618e224091>. a receptacle made of twigs, rushes, thin strips of wood, or other Autodesk Inventor 2018 Crack Free Download is the leading 3D CAD software for contemporary design and engineering professionals. This effective CAD Woodwork for Inventor 9.1.1 Crack + Keygen Code Free Download 2020 During the design process or when deriving data for production, Five Quick Assembly Tips for Autodesk Inventor ... WOODWORK like a PRO! | Woodwork for Autodesk MGS Cobra Attack (for Nokia 7650/3650) + crack. Rhinoceros 3D 3.0 ... Mechsoft for Inventor 6. Cimatron E 4.1 ... WoodWorking Design 2.0. Working Model 2D You are just three simple steps away from Woodwork for Inventor free trial.. Download woodwork for inventor v5.6 cracked (full). Down load woodwork for Download link for Woodwork for Inventor cracked: Thank you for ... Woodwork For Inventor V6 Crack Feb 17, 2017 - Mastercam X9 Crack is one of the finest and oldest development software used ... M3 Data Recovery v6.8 Crack Latest Serial Keygen [2020/21].

9711752d68

[Shaadi Mein Zaroor Aana bengali movie download 720p movies](#)
[Daddy 's Daughter tamil dubbed download](#)
[eroul cu o mie de chipuri pdf download](#)
[Registration code sonar x1 producer cxwt100867407150553](#)
[Descargar Gratis: Adobe Illustrator CC 2015 \(32 y 64 Bits Crack\) \[Resubido 2019\]](#)
[1001bit.Pro.2.2..Plugin.for.Sketchup..epub](#)
[duniyadari marathi movie free download 720p](#)
[Wic reset utility key generator free download](#)
[Wiz Khalifa Young Wild And Free Mp3 Zippy](#)
[Power System Analysis By Nagoor Kani Pdf Download](#)